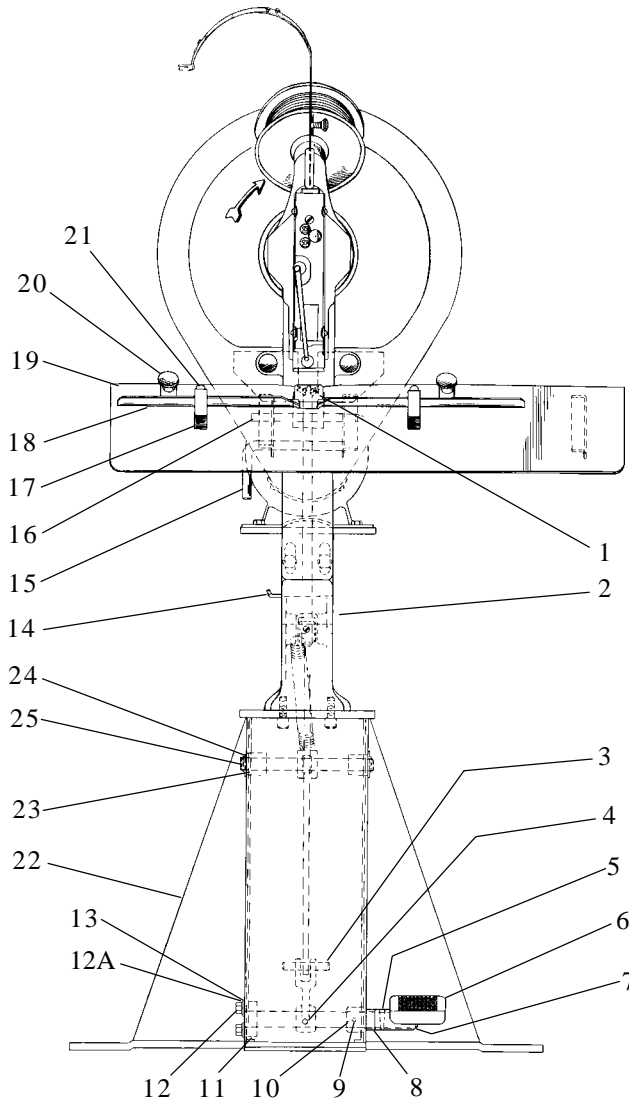


ISP Stitching & Bindery Products

A Division Of Samuel Strapping Systems

MODEL A

Front View



(Form 1132-1 pg 1)

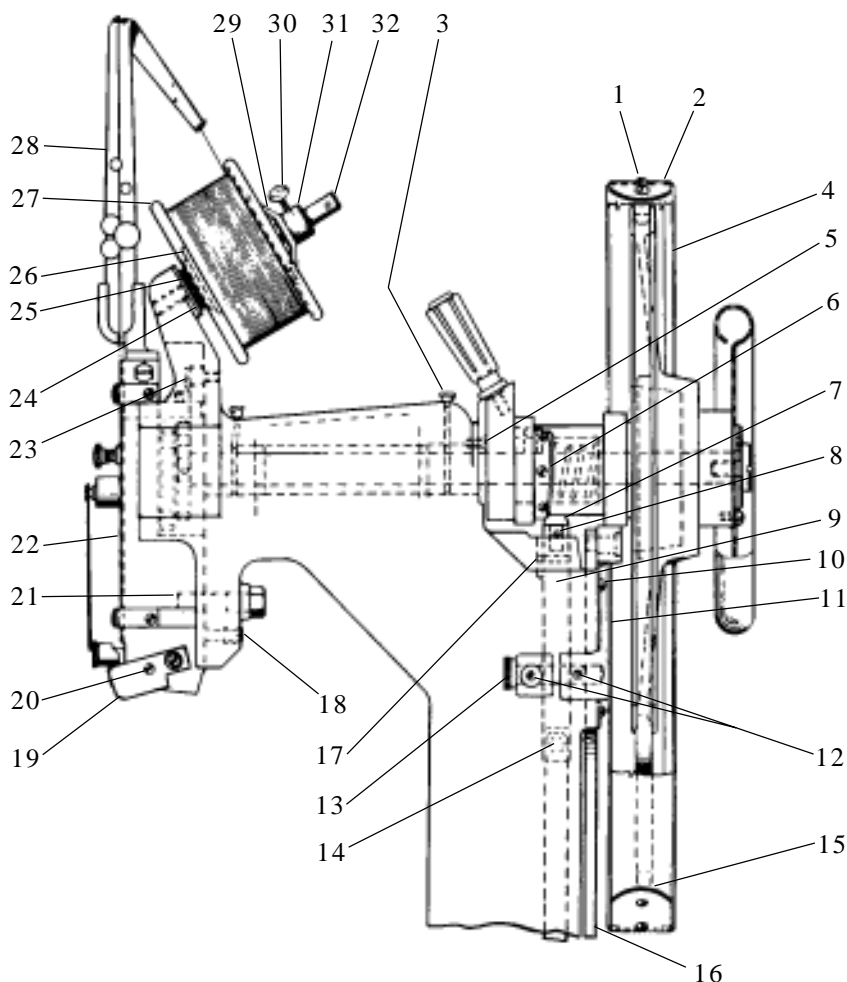
| Index Number | Part Number | Part Description |
|--------------|-------------|----------------------------------------------------------------------------|
| 1 | | CLINCHER PARTS, SEE PAGE 3, INDEX 1 THROUGH 4 FOR PART NOS. AND PART NAMES |
| 2 | CA2 | TOP FRAME |
| 3 | CB185 | CLUTCH ROD PIN |
| 4 | CB377 | SET SCREW |
| 5 | CA112 | TAPER PIN |
| 6 | CA7 | FOOT PEDAL R.H. |
| 7 | CA14A | FOOT PEDAL SHAFT |
| 8 | CD1742 | BEARING |
| 9 | CA47 | SET SCREW |
| 10 | CA102 | COLLAR |
| 11 | CA133 | BEARING BLOCK |
| 12 | CB110 | SCREW |

| Index Number | Part Number | Part Description |
|--------------|-------------|---------------------------|
| 12A | CB371B | LOCKWASHER |
| 13 | CB718 | WASHER |
| 14 | CA108 | GAUGE HOOK |
| 15 | CA57 | SADDLE LOCK PIN |
| 16 | CA56 | SADDLE PIVOT PIN |
| 17 | CA53 | WORK GAUGE STOP |
| 18 | CAA52 | WORK GAUGE |
| * 19 | CAA3 | SADDLE WITHOUT GAUGE |
| 20 | CA55 | WORK GAUGE SCREW |
| 21 | CA54 | THUMB SCREW |
| 22 | A13412A | BASE |
| ** 23 | CB1448D | BEARING |
| ** 24 | CB837M | RETAINING RING |
| ** 25 | CA22A | INTERMEDIATE CLUTCH SHAFT |

* When CAA3 Saddle is ordered, the following should also be ordered: CA142 Strap; CB77A Screw; CB806 Flat Washer; CB371A Lockwasher, CB493 Nut and SK698A Instruction sheet.

** For Use On Models After Serial No. 120100

Side View, Upper Section



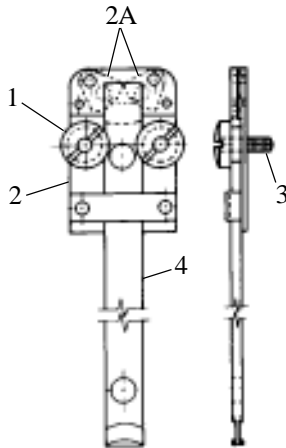
(Form I132-1 pg 2)

| Index Number | Part Number | Part Description |
|--------------|-------------|----------------------------------------------|
| 1 | CB70 | CONNECTING PLATE SCREW |
| 2 | CB274 | GUARD CONNECTING PLATE |
| 3 | CB45 | OIL CUP |
| 4 | CAAA5 | GUARD-COMLETE |
| 5 | CB352 | FLAT HEAD SCREW |
| 6 | CB106 | CLUTCH COLLAR TAPER PIN |
| 7 | CA21 | CLUTCH RELEASE ROD END |
| 8 | CA118 | SET SCREW |
| 9 | CAA18 | CLUTCH RELEASE ROD ASSEMBLY |
| 10 | CB126 | CLINCHER CAM SLIDE PLATE SCREW |
| 11 | CA60 | CLINCHER CAM SLIDE PLATE |
| 12 | CB138 | SET SCREW |
| 13 | CA62 | PULLEY GUARD STUD |
| 14 | CA23 | CLUTCH ROD CONNECTING PIN |
| 15 | CB275 | GUARD CONNECTING PLATE |
| 16 | CAA15 | CLINCHER CAM SLIDE, ROLLER AND STUD ASSEMBLY |
| 17 | CA31 | CLUTCH RELEASE ROD GUIDE PIN |
| 18 | CA100 | HEAD ADJUSTMENT SCREW |
| 19 | CA98A | FINGER GUARD |

| Index Number | Part Number | Part Description |
|--------------|-------------|----------------------------------------------------------------|
| 20 | CB401 | FINGER GUARD SCREW |
| | CB1262 | WASHER |
| 21 | CB157 | BONNET BINDER SCREW |
| *22 | CAAA2005 | M2000 STITCHER HEAD 1/2" CROWN, ROUND WIRE #25 TO #30 |
| | CAAA2504A | MAGNATEK STITCHER HEAD 3/8" CROWN, ROUND WIRE #25 TO #30 |
| 23 | CA74 | YOKE SHOULDER SCREW |
| 24 | CA46 | WIRE SPOOL STUD WASHER |
| 25 | CA114A | WIRE SPOOL BEARING (PLASTIC) |
| 26 | CA113 | WIRE SPOOL WASHER (METAL) |
| 27 | CBBB22 | WIRE SPOOL, 5 LBS. (NOT INCLUDED WITH MACHINE) |
| 28 | CAAA2133W | WIRE GUIDE SPRING ASSY. (M2000) |
| 29 | CB221 | SPOOL FRICTION |
| 30 | CA54 | THUMB SCREW |
| 31 | CA95 | WIRE SPOOL STUD COLLAR |
| 32 | CA45 | WIRE SPOOL STUD |
| 33 | CA139 | SPOOL RETAINER |

* When Stitcher Head (Index 22) is ordered as a service item, the Wire Guide Spring Assembly (Index 28) is supplied and is included in the price for the head.

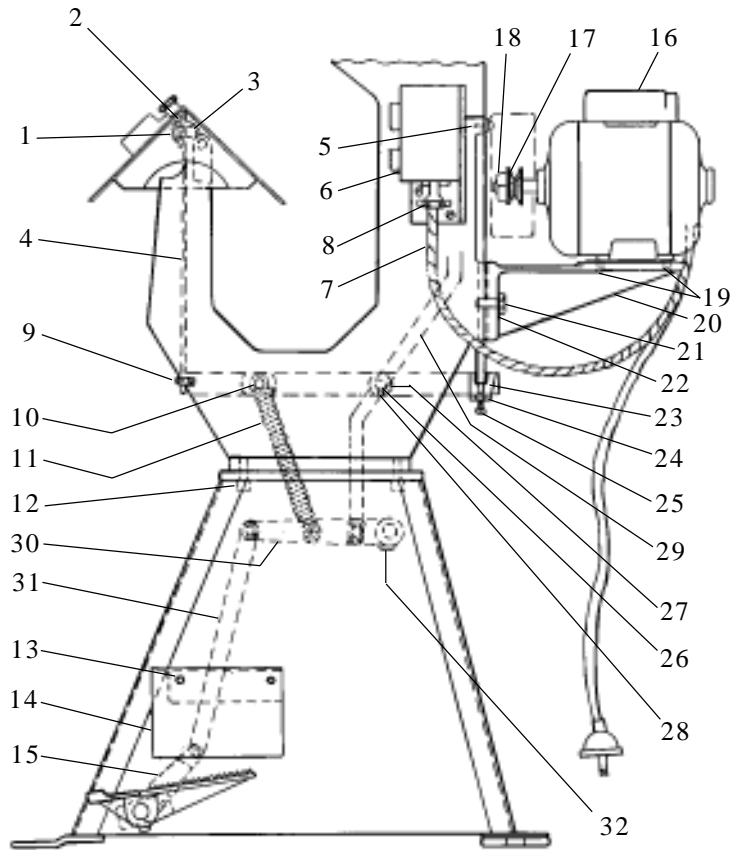
Clincher Assembly



Thin clincher points are standard for Model A Stitcher

(Form 1132-1 pg 3)

Side View, Lower Section



(Form 1132-1 pg 3)

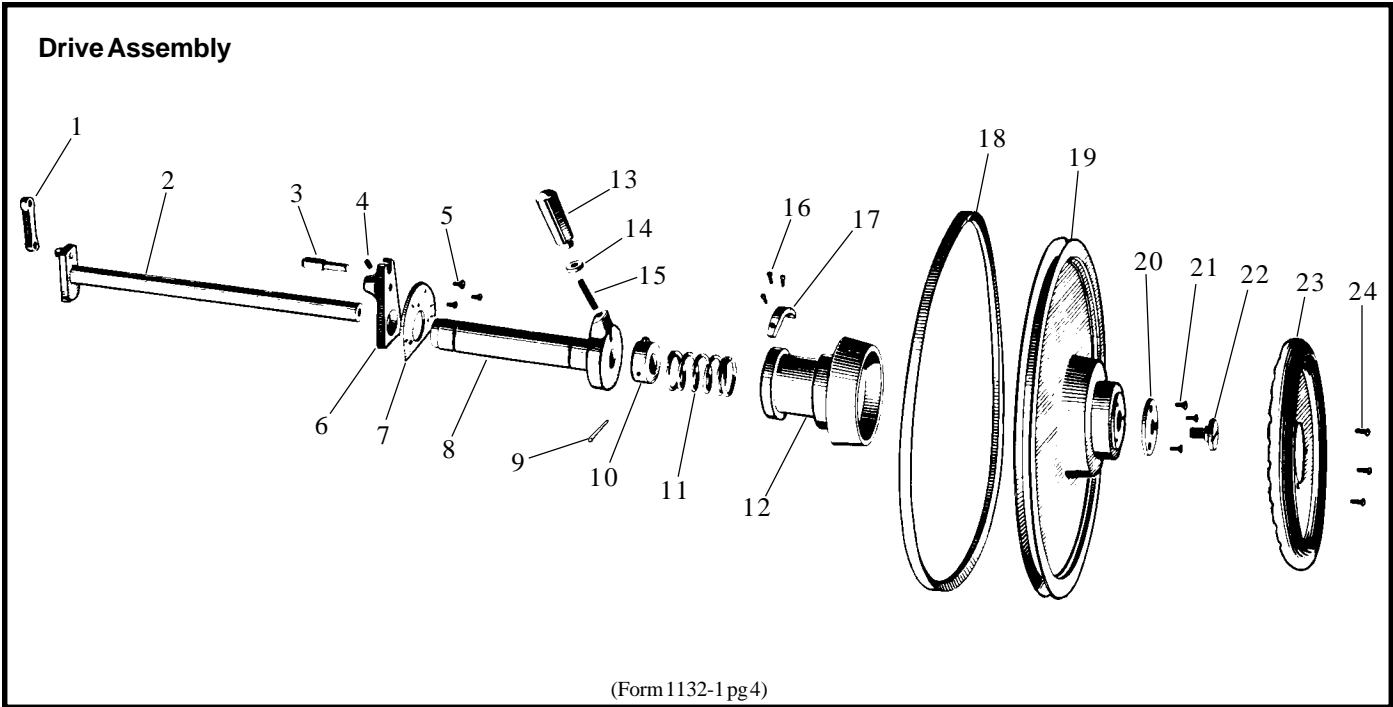
| Index Number | Part Number | Part Description |
|--------------|-------------|---------------------------------------------------------|
| 1 | CA2091 | CLINCHER PLATE BINDER NUT |
| 2 | CAA2089 | CLINCHER PLATE ASSEMBLY, (FOR THIN POINTS, 1/2" CROWN) |
| | CAA2089A | CLINCHER PLATE ASSEMBLY, (FOR THICK POINTS, 1/2" CROWN) |
| | CAA2589B | CLINCHER PLATE ASSEMBLY, (FOR THICK POINTS, 3/8" CROWN) |
| 2A | CA9083 | CLINCHER POINTS, THIS (.028"), 1/2" CROWN |
| | CA9083A | CLINCHER POINTS, THICK (.062"), 1/2" CROWN |
| | CA9583A | CLINCHER POINTS, THICK (.062"), 3/8" CROWN |
| 3 | CA2090 | CLINCHER PLATE BINDER STUD |
| 4 | CA2095A | CLINCHER SLIDE |
| 5 | CB126 | SWITCH SCREW |
| 6 | CB285C2 | SWITCH |
| | CA132B | SWITCH BRACKET |
| 7 | CB283 | SWITCH CORD AND PLUG |
| 8 | CB429 | CORD GRIP |
| 9 | CA42 | CLINCHER OPER. LEVER SLIDE PIN |
| 10 | CA82A | CLINCHER OPERATING LEVER |
| | | SPRING STUD |
| 11 | CA94 | FOOT TREADLE TENSION SPRING |
| 12 | CB314 | FRAME SCREW |

| Index Number | Part Number | Part Description |
|--------------|-------------|--------------------------------|
| 13 | CB487A | FOOT TREADLE TENSION SPRING |
| | CB371A | FOOT TREADLE GUARD L. WASHER |
| | CB493 | FOOT TREADLE GUARD NUT |
| 14 | CA134 | FOOT TREADLE GUARD |
| 15 | CE29 | CLUTCH ROD LEVER |
| 16 | M3LA | MOTOR |
| 17 | CB176A | MOTOR PULLEY |
| 18 | CB177 | SET SCREW |
| 19 | CB35A | MOTOR BASE SCREW |
| 20 | CA6 | MOTOR BRACKET |
| 21 | CB375 | CAP SCREW |
| 22 | CB179 | WASHER |
| 23 | CAA9A | CLINCHER OPERATING LEVER ASSY. |
| 24 | CB411 | LOCKNUT |
| 25 | CA68 | ADJUSTING SCREW |
| 26 | CA30 | CLINCHER OPER. LEVER PIVOT PIN |
| 27 | CA104 | SPACER WASHER |
| 28 | CB59 | SET SCREW |
| ** 29 | CA12 | CLUTCH OPERATING ROD |
| | *CA12A | CLUTCH OPERATION ROD |
| ** 30 | CAA10 | CLUTCH ROD LEVER ASSEMBLY |
| ** 31 | CA13 | CLUTCH OPERATING ROD, LOWER |
| 32 | CB155 | SCREW, 5/16-18x1/2LG. SOC.SET |

** For use on Models after Serial No. 120100

* For use on Models prior to Serial No. 120100

MODEL A



| Index Number | Part Number | Part Description |
|--------------|-------------|-------------------------------------------|
| 1 | CA44 | HEAD OPERATING LINK |
| 2 | CAA35 | DRIVE SHAFT ASSEMBLY, WITH CRANK AND STUD |
| 3 | CA43 | FACE PLATE ADJUSTING STUD |
| 4 | CA50 | SET SCREW (FOR FACE PLATE ADJ. STUD) |
| 5 | CB352 | FLAT HEAD SCREW |
| 6 | CA72 | ECCENTRIC ADJ. SLEEVE YOKE |
| 7 | CA36 | ECCENTRIC ADJ. SLEEVE PLATE |
| 8 | CA34 | ECCENTRIC ADJ. SLEEVE (ECCENTRIC QUILL) |
| 9 | CB106 | CLUTCH COLLAR TAPER PIN |
| 10 | CAA40 | CLUTCH COLLAR AND GUIDE PIN ASSEMBLY |
| 11 | CA20 | CLUTCH SPRING |

| Index Number | Part Number | Part Description |
|--------------|-------------|------------------------------|
| 12 | CA17 | CLUTCH CONE |
| 13 | CE89 | ECCENTRIC ADJ. SLEEVE HANDLE |
| 14 | CA92 | ECCENTRIC HANDLE STUD WASHER |
| 15 | CA91 | ECCENTRIC HANDLE STUD |
| 16 | CA49 | CLUTCH SEGMENT SCREW |
| 17 | CA48 | CLUTCH SEGMENT |
| 18 | CA79 | V-BELT |
| 19 | CAA73 | DRIVE PULLEY (FLYWHEEL) |
| 20 | CA88 | DRIVE PULLEY WASHER |
| 21 | CB352 | FLAT HEAD SCREW |
| 22 | CA90 | DRIVE PULLEY THRUST STUD |
| 23 | CA80 | HAND WHEEL |
| 24 | CB126 | HAND WHEEL SCREW |

WHEN ORDERING PARTS, PLEASE STATE: QUANTITY REQUIRED, PART NUMBER, PART NAME, WIRE SIZE AND CROWN WIDTH OF YOUR STITCHER.

ISP Stitching & Bindery Products

A Division Of Samuel Strapping Systems

USA:
 3911 S. Memorial Dr. Racine, WI 53403
 1-800-345-6641 1-262-598-5421
 Fax: 1-262-598-5426
www.ispstitching.com